



PART NUMBER 0515L-11C
 ITEM NAME 515 NM LASER

PRODUCT DATASHEET



DESCRIPTION

515 nm nanosecond laser is a substitute for Argon lasers in many applications, including sorting, illumination, and pump-probe spectroscopy. Its primary applications lie in LiDAR, harmonic generation and pumping of ultra-fast lasers.

Other potential applications of this laser are:

- pumping of Ti:Sapphire lasers
- supercontinuum generation deep UV generation
- Raman shift excitation in H₂ filled fibers

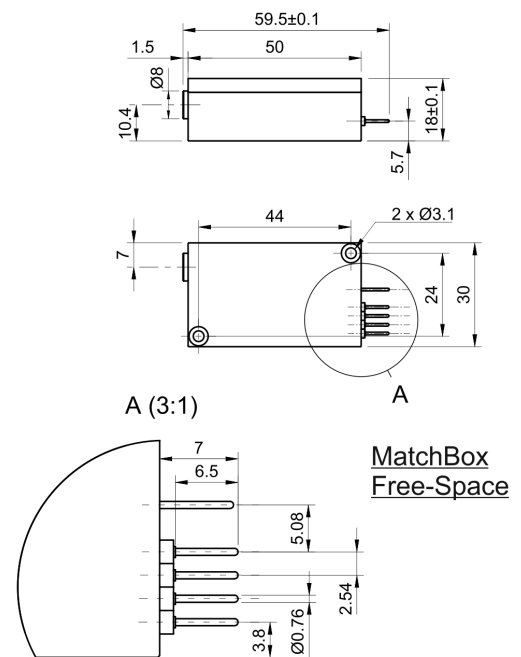
This is an economical nanosecond green laser for industrial environment. Due to its small form factor, this laser meets SWAP-C requirements.

CARACTÉRISTIQUES

Specifications updated: 23 June 2023

Parameter	Minimum Value	Typical Value	Maximum Value
Central wavelength, nm	514.5	515	515.5
Longitudinal modes	-	Multiple	-
Spectral line width FWHM, nm	-	0.3	0.8
Pulse duration, ns (FWHM)	1.4	1.5	1.8
Repetition rate, kHz (depending on pulse energy)	-	3 (other options on request)	10
Pulse energy, µJ	-	20 (other values available on request)	40 (possible with external triggering)
Output power, mW	-	60 ¹	-
Power stability, % (RMS, 8 hrs)	-	0.5 ²	1
Pulse-to-pulse stability, %	-	10	30
Transversal modes	-	TEM ₀₀	-
Beam diameter at aperture (1/e ²), mm	-	1	-
Control interface type	-	UART ³	-
Operation mode	-	APC (CW)	-
Input voltage, VDC	-	5	-
External power supply requirement	-	+5 V DC, 5A	-
Dimensions (LxWxH), mm	-	50 x 30 x 18 ⁴	-
Beam height from the base, mm	-	10.4	-
Heat-sinking requirement, °C/W	-	0.5	-
Optimum heatsink temperature, °C	-	20	-
Warm up time, mins (cold start)	-	10	-
Temperature stabilization	-	Internal TEC	-

DRAWING



Overheat protection	-	Yes	-
Storage temperature, °C (non-condensing)	-	-	-
Net weight, kg	-	0.29	-
Max. power consumption, W	-	14 (10000)	-
Warranty, months (op. hrs)	-	14 (10000) ⁵	-
Residual IR wavelength contrast, dB	-	10	-
RoHS	-	Yes	-
CE compliance	-	- General Product Safety Directive (GPSD) 2001/95/EC - (EMC) Directive 2004/108/EC	-
Laser safety class	-	3B	-
OEM lasers are not compliant with	-	IEC60825-1:2014 (compliant using additional accessories)	-
Country of origin	-	Lithuania	-

¹ The optical power can be tuned from virtually 0% to 100%. However, other specifications, such as central wavelength, power stability, noise, polarization ratio, beam shape, quality and circularity are not guaranteed at power levels other than factory preset power. Significantly worse power stability is to be expected at very low power levels, e.g. <3% from specified nominal power.

² The long term power test is carried out at constant laser body temperature (+/-0.1 °C) using an optical power meter with an input bandwidth of 10 Hz. The actual measurement rate has a period of about 20 seconds to 1 minute.

³ Break-out-boxes AM-C8 and AM-C3 can be used for conversion of UART communication to either USB or RS232.

⁴ Excluding control interface pins and an output window/fiber assembly.

⁵ Whichever occurs first. The laser has an integrated operational hours counter.

Note: Product specifications are subject to change without prior notice to improve reliability, function or design or otherwise.